



SE6000B-3P 3-Phase Static Exciter

The Power-Tronics SE6000B-3P 3-Phase Static Exciter is a self-contained complete Static Exciter. The SE6000B-3P 3-Phase Static Exciter is designed for continuous operation at up to 250vdc at 600adc!

The SE6000B-3P is uniquely designed to sit in a compact footprint while being passively convection cooled for a long service life. Because of its unique modular design, the SE6000B-3P minimizes downtime should a repair ever be necessary! The SE6000B-3P's compact design allows a wide variety of installation methods, including installations where space is at a premium.

The SE6000B-3P is a time-proven design, utilizing high-reliability components and a unique modular design to simplify repair. This product also features loss of sensing protection. If the sensing voltage is lost, the unit will shut down to prevent catastrophic damage caused by runaway voltage!

The SE6000B-3P is also capable of parallel operation with other generators or with a utility buss. Power-Tronics' wide variety of optional accessories also allows the SE6000B-3P to be remotely operated by dry contact switching or by a PLC controller!

The SE6000B-3P is designed to provide a lifetime of service and is specifically built to minimize failures and potential downtime!



Specifications

Input Voltage:	208 - 240vac, 3 ϕ
Sensing Voltage:	120vac, 3 ϕ
Frequency:	50 or 60 Hz
Voltage Regulation:	+/- .5% From NL to FL
Parallel Operation:	Yes
Output Voltage:	0-250vdc @ 240vac input
Maximum Continuous Output:	600adc
Minimum Field Resistance:	.42 Ω @ 250vdc output
Regulation Type:	Flat Response
Physical Size:	32 x 36 x 12 in.
Weight:	95 lb.
Voltage Regulator:	VM120-3
Firing Module:	FM4
Internal Build-Up Provisions:	Optional
Repairable:	Yes
Internal Protection:	Fuses, cartridge type
External Voltage Adjustment:	Yes
Loss Of Sensing Protection:	Yes



Table of Contents

Introduction and Functional Description:.....	3
Determining Application Sizing:.....	4
Connection Diagram:.....	6
Connection Diagram for Models With Optional Internal UIC200:.....	7
Creating an External Flashing Circuit:.....	8
SERCP-3P Removable Control Panel:.....	9
Initial Setup and Commissioning:.....	11
Application Troubleshooting:.....	12
Bench Check Procedures:.....	13
Installation Warranty Form:.....	14
Product Warranty Certificate:.....	15



Introduction and Functional Description

Caution: Read This Installation Manual Carefully and Entirely!

Warning: Do not use digital equipment to read voltage, Hz, or amperage during this installation. Use only Analog sensing equipment! Failure to do so may result in damage to equipment or in personal injury!

ALWAYS perform all setup procedures off-line

ALWAYS wear eye protection

ALWAYS strip wire insulation properly or use insulated connectors

ALWAYS use analog metering equipment when setting up the regulator

ALWAYS ensure the static exciter receives ample airflow

ALWAYS use adequate fusing

NEVER hold the static exciter in your hand or lap when energized

NEVER install the static exciter in a place it can get wet or is exposed to the elements

NEVER mount the static exciter over a screw, bolt, rivet, seam, or other fastener

NEVER remove the regulator cover while the unit is in operation

NEVER insert a screwdriver or other object under the regulator cover

NEVER touch any exposed part of the SE6000B-3P during operation (**LIVE HEATSINKS**)

NEVER install a switch in the DC portion of the static exciter's wiring

NEVER USE A DIGITAL FREQUENCY METER (It can give a false reading!)

Functional Description

The SE6000B-3P 3-Phase Static Exciter is the result of over 20 years of engineering efforts and offers high-demand features at a competitive price point. The SE6000B-3P is a proven design and is engineered to greatly simplify setup while offering extreme reliability. When properly installed, the SE6000B-3P 3-Phase Static Exciter is designed to provide a lifetime of service.

A Generator voltage regulator has several automated tasks it must perform in order to provide reliable, clean, and regulated electricity. It must regulate the terminal voltage within its design specifications and protect both itself and the generator should a fault situation arise.

The SE6000B-3P 3-Phase Static Exciter is designed to replace older obsolete static exciters or rotating exciters with a minimum of connections and a minimum of required installation space. The SE6000B-3P 3-Phase Static Exciter contains an internal filter for voltage sensing, internal field-replaceable 600A fusing, and internal DC field noise suppression. The SE6000B-3P is also designed to be user-serviceable should a problem arise. Fuse or rectifier replacement in the field takes only minutes, thanks to the unique modular design of the SE6000B-3P.

The SE6000B-3P features loss of sensing protection and will shut down if sensing voltage is lost. This feature prevents a runaway condition prevalent in many separate-sensing designs and will result in a fail-safe shutdown!

Due to its extreme simplicity, the SE6000B-3P 3-Phase Static Exciter is uncommonly reliable and offers features and regulation accuracy usually only offered by much more complicated and often much more expensive static exciters.



Determining Correct Application Sizing

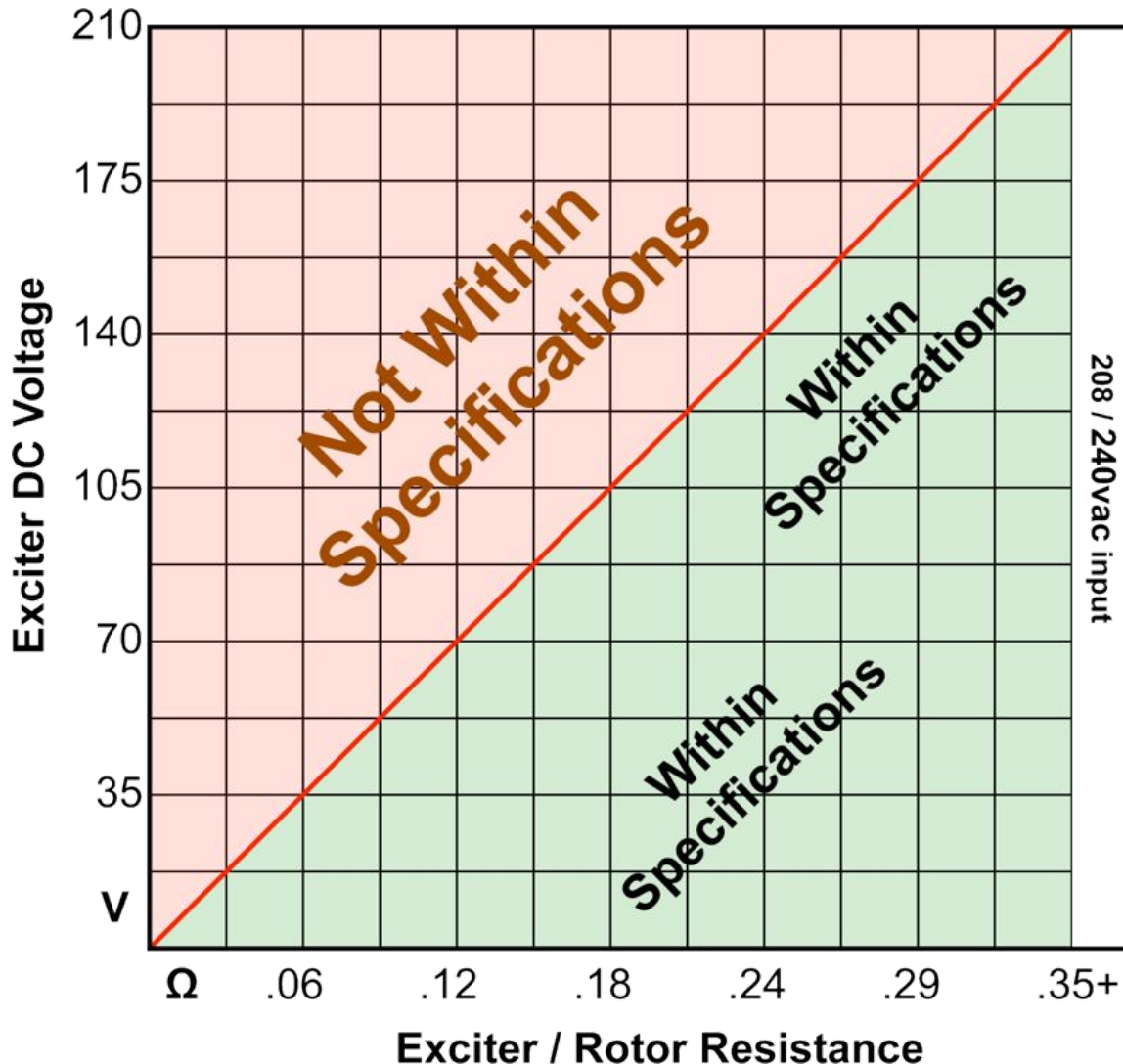
The SE6000B-3P 3-Phase Static Exciter is designed for use with 208-240VAC 3 ϕ input. It contains internal suppression for use with brush-type generator sets. Before installation, it is necessary to verify that the SE6000B-3P is the correct product for your application.

To determine if the SE6000B-3P is the correct product for your generator you need to know any two of the following 3 specifications from the rating plate of your generator:

- 1: Exciter Field Voltage (in DC Volts) [Generally given in full load Voltage on nameplates]
- 2: Exciter Field Resistance (in Ohms) [**See Note Below**]
- 3: Exciter Field Amperage (in DC Amps) [Generally given in full load Amps on nameplates]

Using the specifications obtained from your generator exciter, verify that your generator fits the specifications from the chart or graph below:

- Exciter full load voltage is 200VDC or less, and your exciter field resistance is .42 Ω or greater.





Note about Field Resistance:

- When measuring field resistance on a brushless generator, simply measure the resistance of the exciter field through your field leads with a multimeter.
- When measuring field resistance on a brush-type generator, measure the resistance through both the field leads as well as directly on the slip rings themselves. **The readings you obtain should ideally be the same, but no more than 1% difference.** If you show more than 1% difference in reading your generator has brush and ring contact problems and will need cleaning or maintenance before installing the SE6000B-3P. **Failure to correct brush and ring contact problems will result in severe damage to the voltage regulator as well as possible PERMANENT damage to the slip rings themselves!** NEVER use emery cloth, carborundum stones, “comm sticks”, or Tuner cleaner to dress or clean slip rings. They will make a bad problem much, much worse! Only use Garnet or Flint sandpaper and clean with a clean rag soaked with Acetone for best results!

If you do not have any of the specifications of your generator’s exciter, or if you don’t know where to start when trying to determine your exciter specs, please see the section below for instructions on measuring and calculating your exciter specifications.

- Measure your exciter field resistance using a multimeter on your field leads. Record this value. If you have a brush-type generator, also take a resistance reading on your slip rings: the value you obtain on the slip rings should be no more than 1% difference from the value you obtained through the field leads.
- Next, start and run the generator and apply 12V from a battery through your field leads and record the AC voltage produced by the generator. To determine your full load exciter field voltage, use the following formula:

$$E_{Exc.} = \frac{E_{Gen.Conf.}}{\left(\frac{E_{Gen.Output}}{E_{Battery}} \right)} * 2$$

Where $E_{Gen.Conf.}$ is your Generator’s configured voltage (e.g.: 120, 208, 240, 480V, etc.), $E_{Gen.Output}$ is your recorded output voltage, and $E_{Battery}$ is your battery voltage (12V usually).

- Next, calculate your maximum exciter field amperage using your measured field resistance and your calculated exciter voltage using the following formula:

$$I = \frac{E}{R}$$

Where I is your maximum exciter field current, E is your calculated field voltage from the above formula, and R is your measured field resistance.

Using the values you just measured and calculated, see the chart on the previous page to determine whether the SE6000B-3P is the correct product for your application.



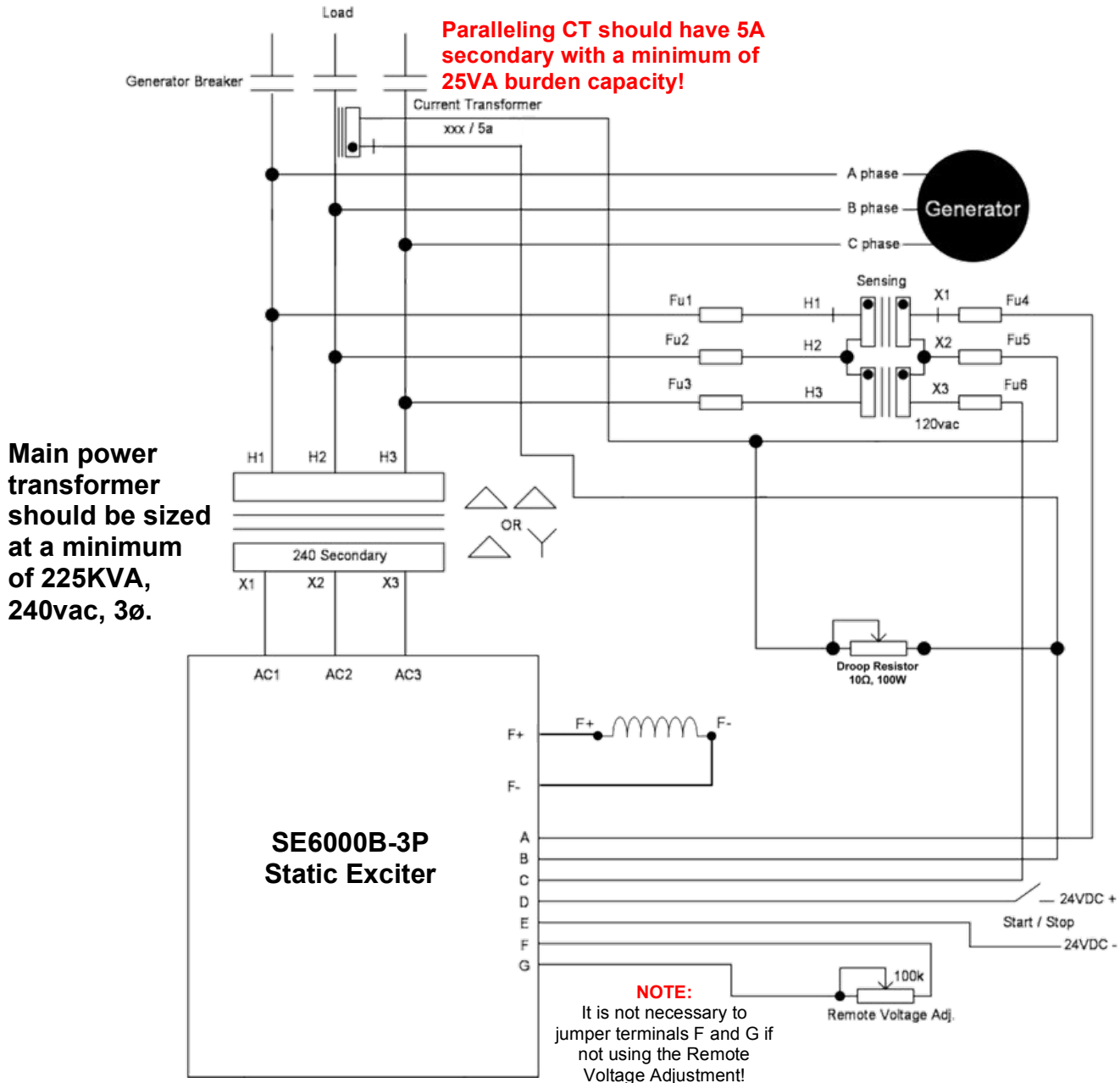
Connection Diagram

(See page 7 if your unit is equipped with the optional internal UIC200 Interface Module)

The SE6000B-3P is a half-controlled 3-phase Full-Wave rectified static exciter, which allows a maximum of 250VDC at 600 ADC continuous with an input voltage of 240VAC 3 ϕ .

This product is typically used on slip-ring generators with full load field voltages of 200VDC or less and full load exciter field amperages between 300 and 590ADC.

Note that the maximum input voltage to the SE6000B-3P 3-Phase Static Exciter is 240VAC 3 ϕ ! DO NOT input 277VAC into the SE6000B-3P! Severe damage to the unit will result! For use on 480V systems, either connect the SE6000B-3P to the winding center taps T7, T8, and T9 or use a 480-240V step-down transformer.



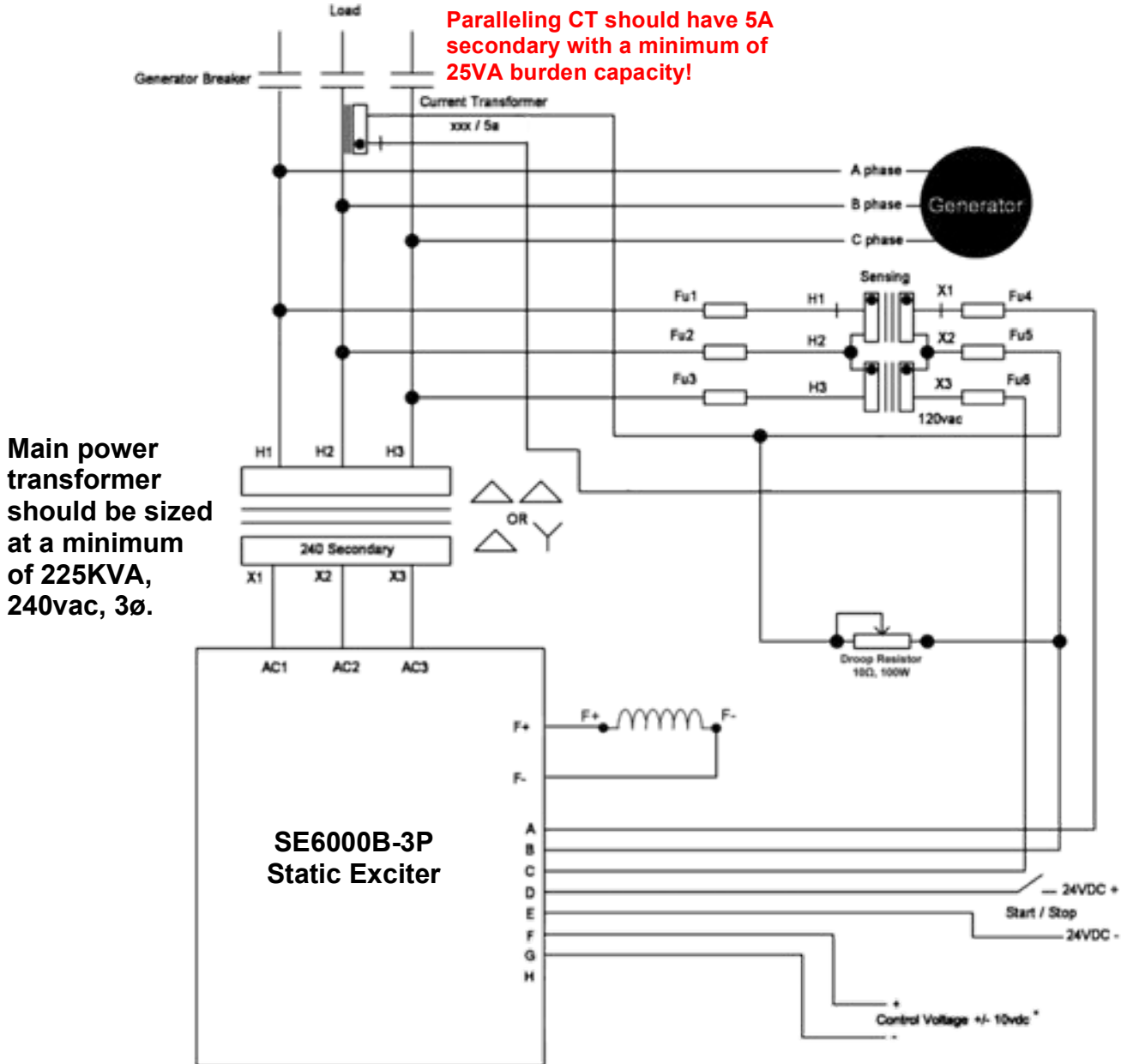


Connection Diagram for Units Equipped With Optional Internal UIC200 Optical Interface Module

The SE6000B-3P is a half-controlled 3-phase Full-Wave rectified static exciter, which allows a maximum of 250VDC at 600 ADC continuous with an input voltage of 240VAC 3 ϕ .

This product is typically used on slip-ring generators with full load field voltages of 200VDC or less and full load exciter field amperages between 300 and 590ADC.

Note that the maximum input voltage to the SE6000B-3P 3-Phase Static Exciter is 240VAC 3 ϕ ! DO NOT input 277VAC into the SE6000B-3P! Severe damage to the unit will result! For use on higher voltage systems connect the SE6000B-3P to an appropriately sized step-down transformer.





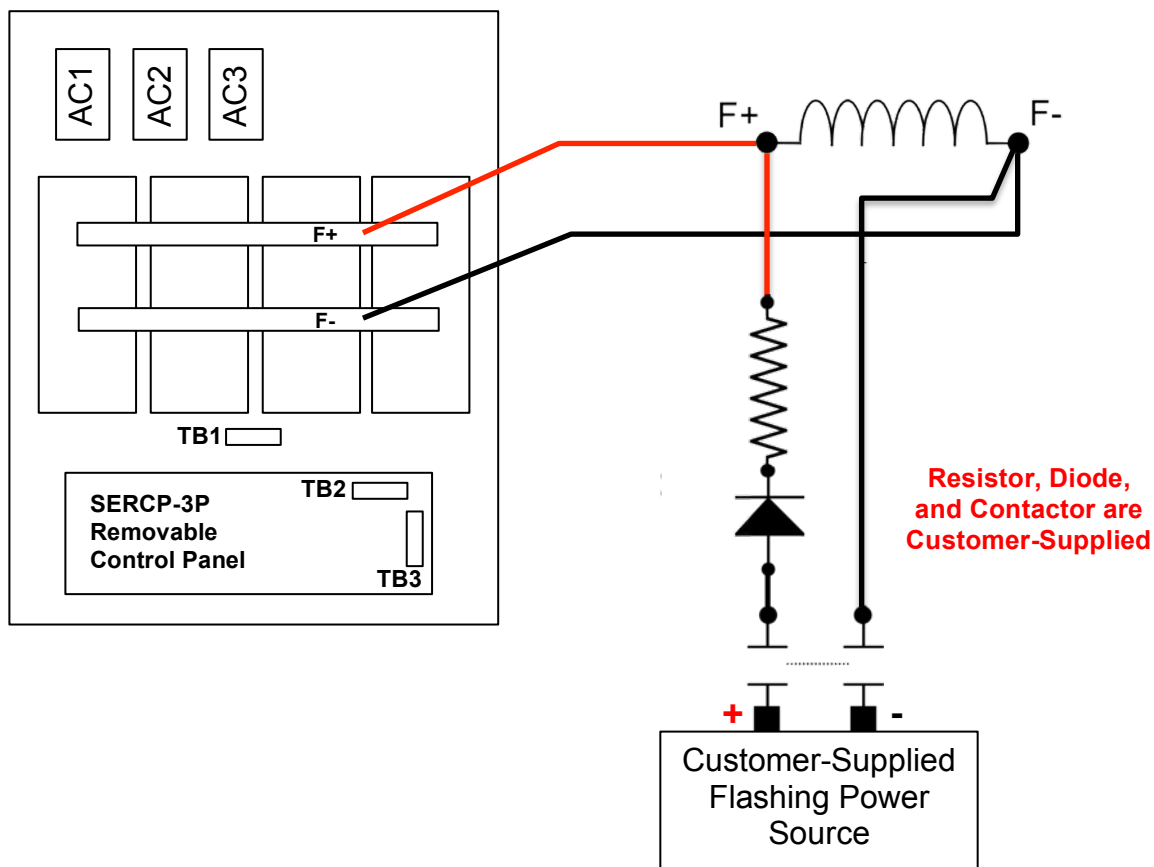
Creating an External Flashing Circuit

The SE6000B-3P 3-Phase Static Exciter is designed primarily for industrial or commercial installations, such as hydroelectric dams or power stations where a station battery or existing power source is normally present. The SE6000B-3P can be ordered with an internal flashing circuit, or use an external flashing source to bring the generator up to voltage during startup.

The diagram below shows how to create a safe flashing circuit to prevent damage to the SE6000B-3P or the power source during the flashing procedure.

A typical flashing power-source is a 125vdc station battery. Contactor, diode, and resistor should be sized to fit the power source being used. Please contact Power-Tronics for sizing assistance.

To avoid damage to the SE6000B-3P Static Exciter or possible damage to the flashing power source, the flashing source should be completely disconnected from the SE6000B-3P and the generator field once the flashing sequence is complete!





SERCP-3P Removable Control Panel

The SE6000B-3P 3-Phase Static Exciter features a removable control panel for convenient relocation of the control module and firing module to a location closer to the main switchboard and can be configured to meet the needs of your application. The various forms of the SERCP-3P are shown below:

SERCP-3P Removable Control Plate

Default configuration of the removable control plate contains no internal UIC200 Optical Interface Module and no internal flashing circuit. Requires external flashing source for buildup.



SERCP-3P-BU Removable Control Plate

Optional configuration of the removable control plate, which adds an internal flashing circuit that allows automatic buildup at voltages as low as 3.5VAC.



SERCP-3P-UIC Removable Control Plate

Optional configuration of the removable control plate with internal UIC200 Optical Interface Module and no internal flashing circuit. Requires external flashing source for buildup.



SERCP-3P-BU-UIC Removable Control Plate

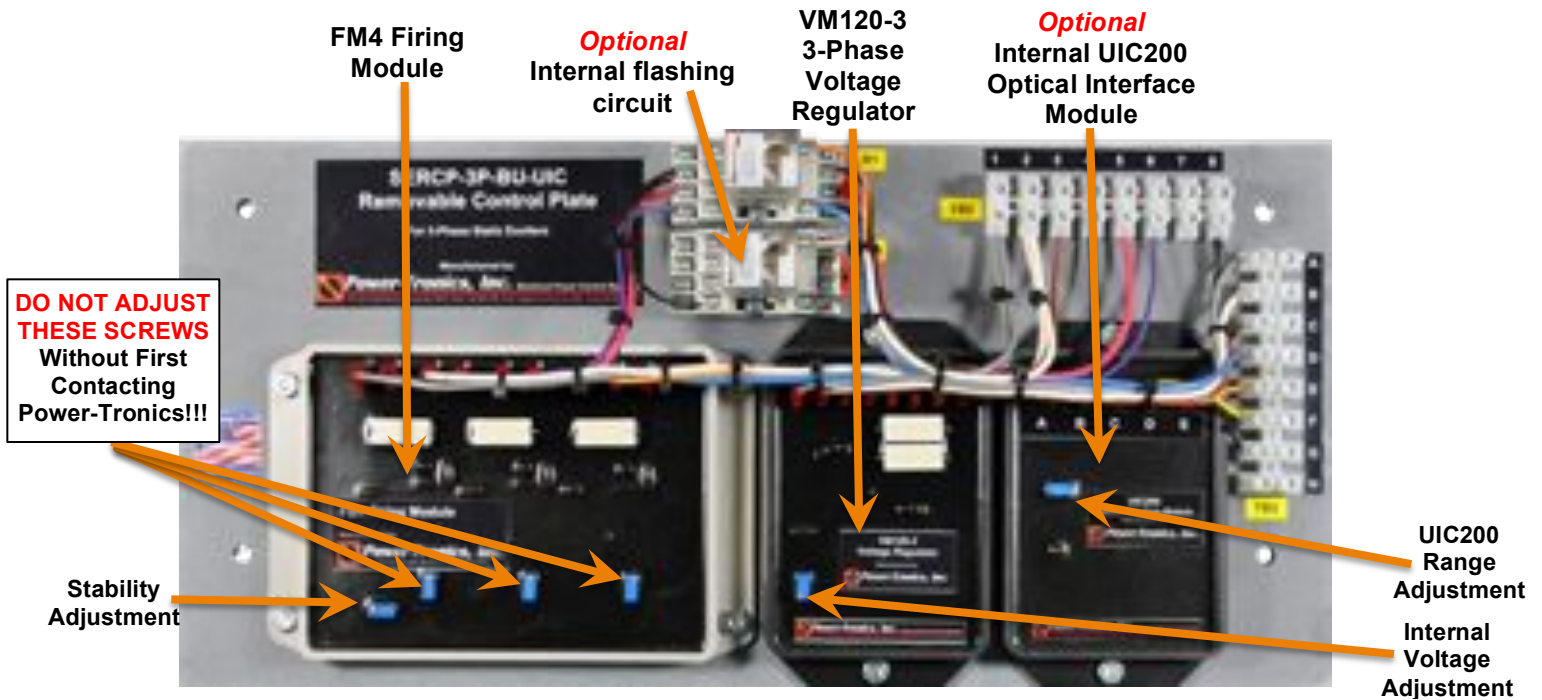
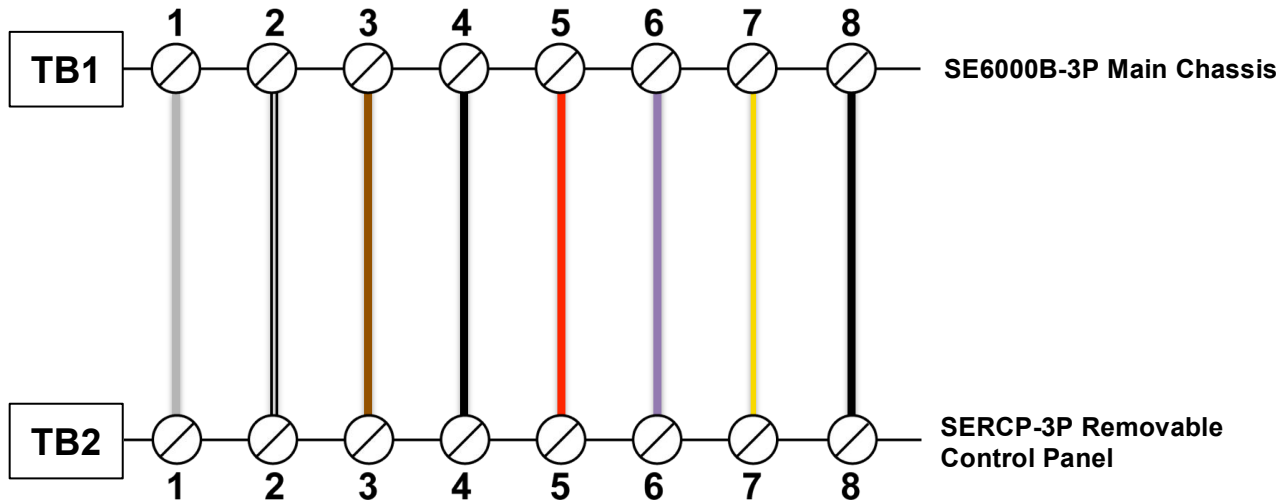
Optional configuration of the removable control plate, which contains an internal UIC200 Optical Interface Module and an internal flashing circuit for buildup voltages as low as 3.5VAC.





To detach the removable control panel from the SE6000B-3P, simply remove the 4 1/4-20 nuts that hold it to the main chassis and remove the wires from TB1 and TB2.

Install the control panel in the desired location, and then reconnect the wiring as originally shown. The original wires are color coded for quick and easy hookup. See the diagram below for further details.



Shown Configured as SERCP-3P-BU-UIC



Initial Setup and Commissioning

1. Install the SE6000B-3P and wire up to the correct wiring diagram (Standard hookup, or optional internal UIC200).
2. If installing the SE6000B-3P on a brush-type generator, verify that the brushes and brush riggings are isolated, ungrounded, and connected ONLY to the SE6000B-3P.
3. Turn the internal voltage control on the VM120-3 voltage regulator 15 or more turns counter clockwise (left) or until you hear the screw click. This procedure is necessary in case the original factory settings have been altered.
4. If you are using a remote voltage adjustment, set it at 50% of adjustment. If your model is equipped with the optional internal UIC200, set your external controller to approximately 50% of its output range.
5. If the generator is to be paralleled, set the droop resistor between 6Ω and 10Ω.
6. Start up the prime mover and bring up to operating speed, then apply 24vdc to terminals D and E on TB3 using the Start/Stop switch.
7. If your model requires an external flashing source, apply the external flashing source to the exciter field to build the generator up. As soon as the generator begins to build voltage, remove the flashing source and the SE6000B-3P will take over.
8. Set the internal voltage adjustment on the voltage regulator to the desired voltage setting for the generator output by turning the adjustment screw clockwise (right).
Note that the voltage adjustment is a 25-turn pot! *If using the optional internal UIC200 Optical Interface Module, verify that your external control can adjust the generator voltage by varying the controller output signal.*
9. Place the generator on line and observe the frequency and voltage.
10. If the generator is being paralleled, measure the droop during loading and adjust the droop resistor as necessary. Reducing droop resistor resistance will reduce droop.
NOTE: Loading the generator with a purely resistive load-bank may cause undesirable droop characteristics such as no droop, very slight droop, or even rising terminal voltage. Measure droop with a mixed load for best results.
11. If paralleling and the terminal voltage rises or excessive amperage exportation occurs during loading with a mixed load connected, reverse the CT leads and try again.
12. Observe voltage regulation during no-load and full-load conditions. Once the voltage is set, proper control is observed, and regulating characteristics are satisfactory the installation procedure is complete.



Application Troubleshooting

Problem:

Possible Cause

No Voltage	1 3 5 7 9 11 13 15 20 21
Pulsating Voltage	4 5 6 12 16
Flickering Voltage	4 6 7 14 21 22
High Voltage	6 7 8 9 12 13 17 18 20 21 22
Voltage Drop on Load	5 8 10 12 16 23 24
Low Voltage	5 8 12 13
Poor Voltage Regulation	2 4 10 12 13 16 23 24
No Voltage Control	13 19 20 21 22 23 24

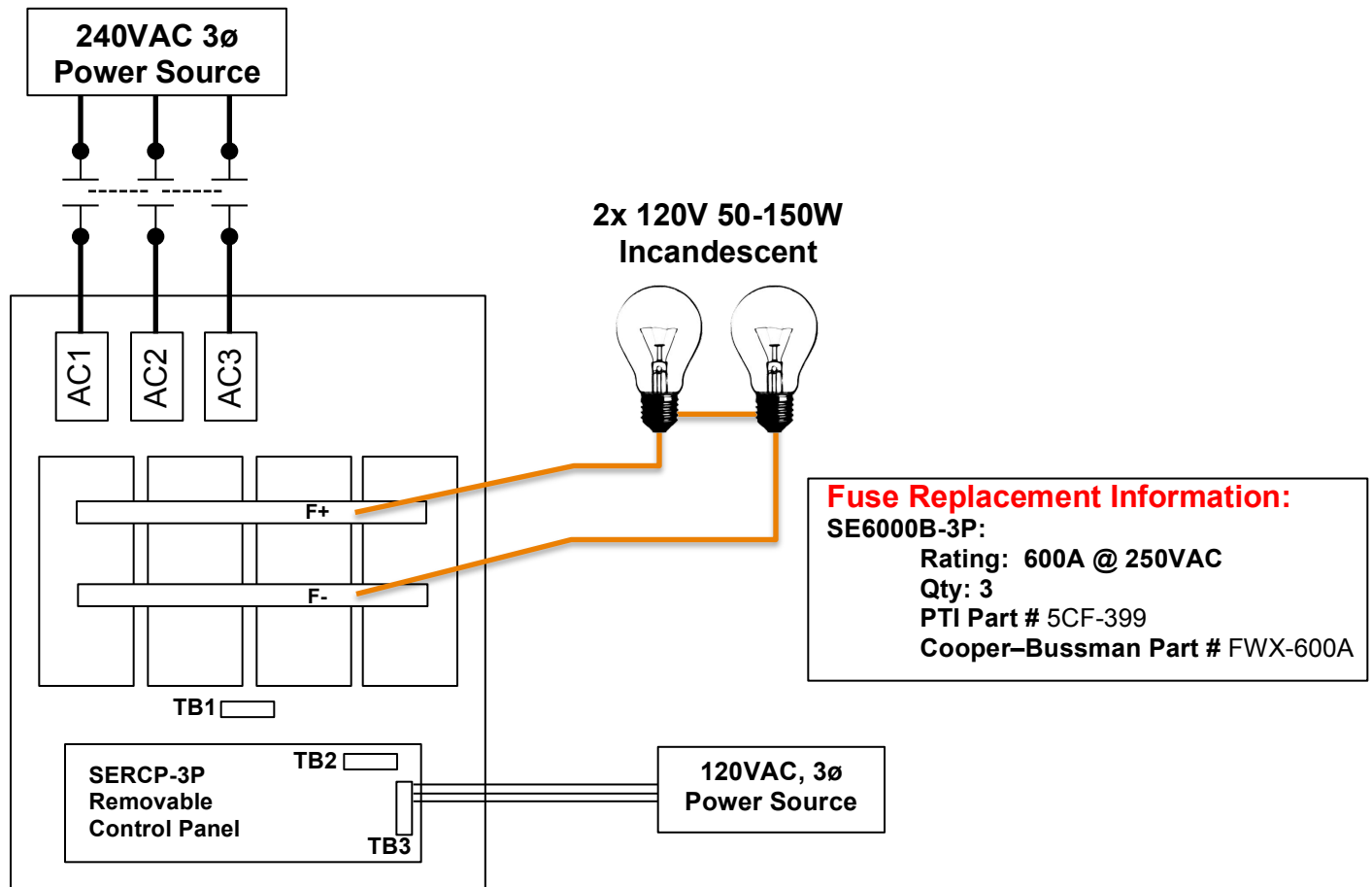
Possible Causes:

-
1. External Flashing procedure failed, external sensing disconnected, blown internal or external fuses.
 2. Unbalanced generator load.
 3. Open exciter field or defective generator.
 4. Non linear load or defective connection in exciter field.
 5. Open diode in exciter or shorted rotor in generator.
 6. Loose component in voltage regulator.
 7. Loose wiring connections.
 8. Input voltage to regulator is too low.
 9. Exciter field is grounded.
 10. Non linear load or wrong selection for regulator hookup.
 11. Exciter fields are reversed.
 12. Wrong selection of regulator wiring configuration.
 13. Defective voltage regulator.
 14. SCR or Inverter drive effecting generator waveform.
 15. 24vdc not applied to terminals D and E on TB3.
 16. Isolation transformer is too small.
 17. Isolation transformer is needed.
 18. Exciter fields are not isolated from other circuits.
 19. Input and field circuit are being fed by a common cable or conduit.
 20. Incorrect hookup or wiring.
 21. Poor brush contact to commutator or sliprings.
 22. Damaged, pitted, or grooved slip ring surface.
 23. Current transformer has reversed polarity or is not shorted during non parallel operation.
 24. Input to regulator is from an auxiliary winding and not the generator main stator.



Bench Check Procedures

1. Wire up the SE6000B-3P as shown in the figure below.
2. Connect up two 120 volt 50 to 150 watt light bulbs in series to the F+ and F- Terminals.
3. Install a switched 24vdc power source to terminals D and E on TB3.
4. Turn the internal voltage adjustment on the VM120-3 Voltage Regulator fully Counter-Clockwise (Left) before beginning the testing procedures below.
5. Input 208-240VAC, 3 ϕ fused at no more than 5A into the SE6000B-3P and input 120VAC 3 ϕ into terminals A, B, and C on TB3. **The test light should be OFF.**
6. Turn on the 24vdc power source to terminals D and E on TB3. **The test light should be OFF.**
7. Slowly turn the internal voltage adjustment on the VM120-3 Voltage Regulator Clockwise (Right) until the lights glow. **The test light should light to FULL Brightness. NOTE: It may take several turns of the adjustment screw before the lights illuminate!**
8. Slowly turn the internal voltage adjustment of the VM120-3 Voltage Regulator Counter-Clockwise (Left) until the lights go dark. **The test light should be OFF. NOTE: It may take several turns of the adjustment screw before the lights go dark!**
9. Turn off power and disconnect the SE6000B-3P from your power sources. Inspect all electronic components on the SE6000B-3P to ensure they are isolated from touching any part of the SE6000B-3P housing.
10. If you were able to successfully perform all of these tests, the SE6000B-3P is good.





Installation Warranty Form

It is very important that you fill out this form completely when installing a voltage regulator. This form serves as a history record on the application. This form also contains the information needed by Power-Tronics, Inc., for repair and troubleshooting of any product you may be having problems with.

Failure to fill out this form during installation will result in a cancellation of your warranty coverage! Filling out this form takes only minutes but will save hours or days later on if your product should require service!

Product		Other options		
Serial Number				
Date of Installation				
Type of Generator			Model #	
	Brush type	<input type="checkbox"/>		
	Brushless	<input type="checkbox"/>		
AC Stator Information				
Wired for	Volts	Phase	Hz	
Generator Configuration: Lead				
Exciter/Rotor Information				
Exciter field resistance		Ω	@ F+ / F-	Ω
Exciter field volts		vdc	@ Slip Rings	Ω
Description of problem with product or generator				
Your phone number		Name:		
Your fax number		Ship to Address:		
Your email address		Ship to City, State, Zip:		



PRODUCT WARRANTY

Power-Tronics, Inc., assumes no liability for damages due to incorrect voltage or other voltage related damages resulting from either output of the generator or input to the generator exciter system. These problems should be protected with external devices provided by the customer such as **fuses, surge suppressors, over/under voltage and frequency controls.**

Power-Tronics, Inc., warranties **only parts and workmanship** of this product for a **period of 2 years from the original date of purchase from Power-Tronics, Inc.** Under warranty, Power-Tronics, Inc. will replace, exchange or repair the defective product **without labor or parts cost to the customer.** Remaining warranty of the original product will be transferred to the replaced or repaired product. To obtain warranty, a copy of the original Installation Warranty Form must be sent in with the defective product, which clearly shows the purchase date and serial number of the defective part. A repair request form must be sent in with the product before repairs will begin. You can obtain this form by contacting Power-Tronics, Inc.

Send repairs to: Power-Tronics, Inc., 2802 Cobbler Ln., Kerrville Texas USA 78028.

***Send in repairs only by UPS or FedEx.* USPS will NOT deliver to our facility!**

Any one of the following conditions will void the warranty:

- ❖ Overheating of the power supply resistor on the printed circuit card.
- ❖ Overheating of the SCR or freewheeling diode.
- ❖ Physical damage to the printed circuit card, housing or components.
- ❖ Unauthorized repair or alteration of printed circuit card.
- ❖ Installation by anyone other than a qualified professional generator service technician.
- ❖ Conductive or corrosive contamination of the circuit card.
- ❖ Removal of our company identification from the product.
- ❖ Removal of any conformal coating of the printed circuit card or components.
- ❖ Overheating of foil on the printed circuit card.
- ❖ Inappropriate or infeasible application.
- ❖ Use with any external device other than manufactured by Power-Tronics, Inc.
- ❖ Failure to fill out the attached warranty card during installation

No other warranty is expressed or implied.